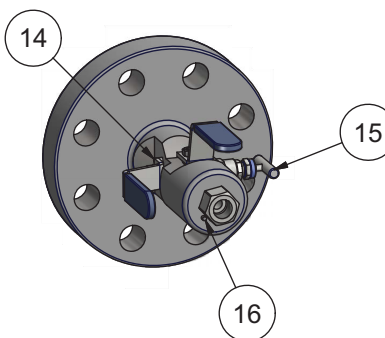
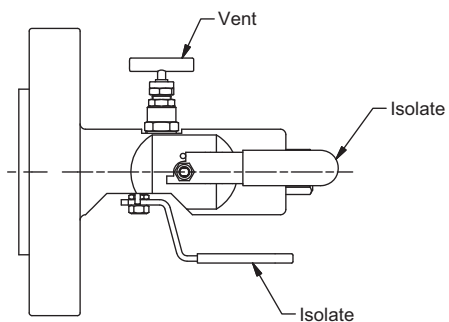
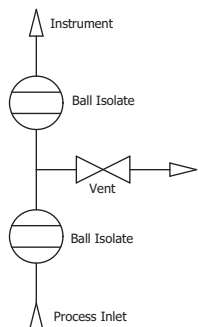


Bonnet gasket material		
Type	Grafoil	PTFE
Vent		x



**FLOW DIAGRAM**



Stykliste					
POS	STK	DEL	MATERIALE	DWG/ DEL NR.	SMELTE NR.
1	1	Valve Housing	AISI 316L	7-09-0201	
2	1	Insert for flange	AISI 316L	7-09-0206	
3	1	Insert 1/2" NPT	AISI 316L	7-09-0207	
4	2	Gasket ring	AISI 316L	7-00-1201	
5	2	Shaft	AISI 316L	7-08-0105	
6	2	Gasket bushing	AISI 316L	7-08-0107	
7	4	Shaft gasket	PTFE 25% glass	7-08-0110	
8	2	Nut M8 - DIN 439B	A4		
9	2	Ball	AISI 316L	7-08-0111	
10	4	Ball seat	PEEK	7-08-0108	
11	2	Handle	AISI 316L	7-09-0104	
12	2	Sleeve	Vinyl	7-09-0104	
13	2	Nut M8 - DIN 934	A4		
14	2	Pin Ø4x14mm	A4		
15	1	Bonnet Type SN - T bar	AISI 316L	7-00-0200	
16	2	Pin Ø4x10mm	A4		

Included Accessories					
POS	STK	DEL	MATERIALE	DWG/ DEL NR.	SMELTE NR.
17	1	Plug 1/2" NPT	AISI 316L	3-01-0100	

Scale	Size	Date	Sign.
1:2	A3	19-02-2015	MP
Weight: 14,0 kg	Check		

Double Block and Bleed  
 Assembly - 2" 1500lbs RTJ / 1/2" NPT-F

Gen. tolerances: ISO 2768 m  
 Drawing No.: 07-09-0260-0  
 Order No.: 201 1274