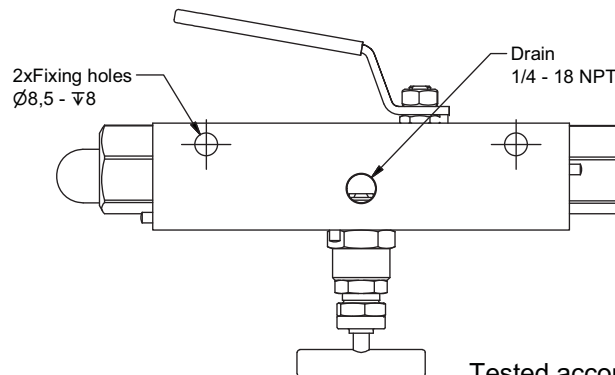
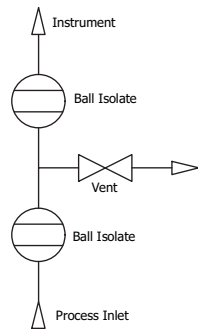


FLOW DIAGRAM



Tested according to A.P.I.598
Test Pressure = 375 barg

Stykliste					
POS	STK	DEL	MATERIALE	DWG / DEL NR.	SMELTE NR.
1	1	Bonnet Type SN - T bar		7-00-0700-0	
2	2	Shaft	AISI 316L	7-08-0105-0	
3	2	Small handle	AISI 316L	7-08-0106-0	
4	2	Shaft bushing	AISI 316L	7-08-0107-0	
5	4	Ball seat	PEEK	7-08-0108-0	
6	4	Shaft Gasket	PTFE 25% Glass	7-08-0110-0	
7	2	Ball	AISI 316L	7-08-0111-0	
8	2	Handle Sleeve	Vinyl	7-08-0112-0	
9	2	Insert 1/2" NPT	AISI 316L	7-09-0507-0	
10	1	Valve housing	AISI 316L	7-09-1101-0	
11	2	Nut M8 - DIN 934	A4		
12	2	Nut M8 - ISO 4035	A4		
13	2	Pin Ø3x10mm	A4		
14	3	Pin Ø4x10mm	A4		

Scale	Size	Date	Sign.
1:2	A3	01-10-2014	ce
Weight: 0,0 kg	Check		